

Merlin Range

Low Cost, High Power

LED Floodlight

Manufactured in the UK

Single Colour Floodlight
powered by 12 of
the latest quality
Cree LED's



- Weatherproof to IP65 <
- Tough and durable anodised aluminium housing <
- Typical 83Lm/W <
- Total lumen output - 2050 @ 700mA <
- Power consumption - 26W @ 700mA <
- Driver voltage - 230V <
- Lifetime prediction of L70/100,000 hours <
- Acrylic front to give optimum light output <
- Various optics to suit most applications <
- Aluminium mounting bracket or plate <

Tested and Guaranteed

Our LED floodlight is tested for up to a week prior to despatch. Junction temperature calculations guarantee the stated life of the fitting.

Savings

If we guarantee our fitting to have a minimum expected life of 100,000 hours, we know that after that length of time the fitting will still be giving out 70% of its initial light output.

It is designed to accommodate advances in technology with minimal alteration; this makes it extremely cost effective and ensures we are up to date with the latest products.

At New Vision Lighting our LED floodlight is engineered with the view to it lasting in excess of 10 years. The heat sinks we manufacture are designed and tested to allow the LED to run as efficient as possible with minimal light level reduction over the years.

Renowned Cree LED's

- Cree High Quality Die Manufacturer
- Qualified High Reliability – JEDEC standards
- Highest Efficacy Die Technology in market
- Industry's lowest thermal resistance
- Qualified High Lumen Maintenance – lowest data extrapolation
- Energy Star Qualified Technology
- Market Leading White Point Stability



Simply comparing the size and weight of our products compared to other manufactures is reassurance on its own. However as they say, size is not everything! By using Die from world leading manufacturers such as Cree we can offer a range of products which we can guarantee are between 90-95% efficient.

Whilst we strive to ensure our customers are benefiting from the latest most cost effective and efficient LED products available, we have tried, where possible, to design them to be virtually zero maintenance. The savings that can be made are absolutely enormous when all the labour and health and safety issues are considered in the average busy commercial environment.

Further Benefits

- Silicone seals are used as opposed to rubber seals to avoid petro chemicals reducing the LED's life
- Thermal compounds and gaskets are used to give the best possible heat transfer
- Stainless steel bolts used for greatest protection from the environment
- PIR's, timers and light sensors can be used with the floodlight thereby cutting energy consumption further



LED FLOODLIGHT

Features

- Vandal-proof Acrylic front
- Powered by the latest Cree LED's
- Weatherproof to IP65
- 1000mA max drive current
- Tough and durable machined aluminium housing

Lighting Performance

Light Source	Cree XPG
LED Quantity	12
Lumen Output	2600 @ 1000mA
Expected Lifetime	100,000 hours

Input Data

Drive Current	700-1000mA
Input Voltage	N/A
Power Supply Type	Constant Current Drive
Input Connection	Flying Lead

Operating Details

Power Consumption	26.1W @ 700mA 38.4W @ 1000mA
Ambient Temp Range	-10°C to 40°C

Physical Details

Mounting Type	Aluminium Rotating Bracket
Finish	Matt Silver Anodising
Ingress Protection	IP65 at 1 Bar

Options

Optic	6, 15, 25, 40 degrees
-------	-----------------------

Recommended Drivers

1000mA Constant Current
700mA Constant Current

A very high powered, single coloured LED floodlight

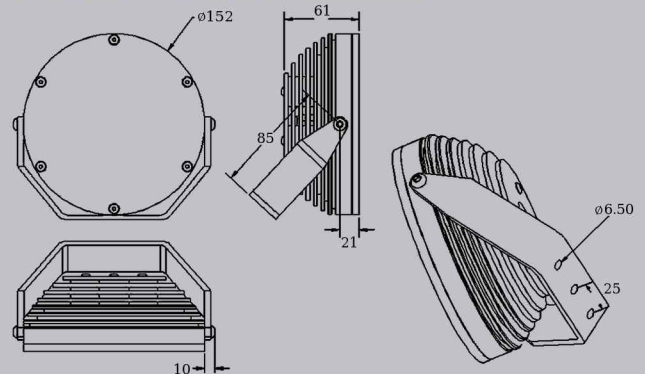
Uses 12 high power Cool White Cree LED's

Lifetime prediction of 100,000 hours

Is IP65 rated and is suitable in any type of venue indoor or outdoor



Mechanical Dimensions



Ordering information

NVMER12 Cool White 12 LED Floodlight

Please add the optic code as required:

0	No optics
6	6 degrees
15	15 degrees
25	25 degrees
40	40 degrees

Please add the driver code as required:

/1	1000mA
/7	700mA